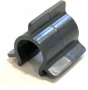










# Double-See™ Vinyl Double Containment Piping System



# Double-See™ Vinyl Double Containment System Specification

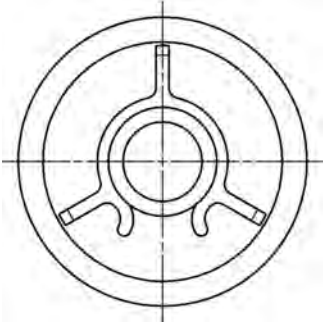
	PVC Schedule 80	CPVC Schedule 80	PVC Schedule 40
<b>Material</b>			
Cell classification	12454	23447	14353
Color	Dark gray	Light gray	Clear
Specific Gravity (g/cc3 @ 73°F)	1.40	1.51	1.32
Linear expansion coefficient (in/in °F)	$2.8 \times 10^{-5}$	$3.4 \times 10^{-5}$	$4.1 \times 10^{-5}$
Tensile Strength @ yield (psi @ 73°F)	7,200	7,550	6,500
Modules of Elasticity Tensile (psi @ 73°F)	430,000	375,000	334,000
Heat Distortion Temperature (°F @ 264 psi)	158	230	157
Flammability (UL94)	V-0	V-0	V-0
<b>Dimension</b>			
Primary	½"–6"	½"–6"	n/a
Secondary	2"–10"	2"–10"	2"–10"
<b>Pressure Rating</b>			
Primary	varies by size	varies by size	n/a
Secondary	up to 50 psi	up to 50 psi	up to 50 psi
<b>Temperature Rating</b>			
	32°F–140°F (0°C–60°C)	32°F–200°F (0°C–93°C)	32°F–140°F (0°C–60°C)
<b>Testing and Inspection</b>		Visual Inspection Dimensional Tolerance Pressure Testing	
<b>Material &amp; Product Approvals/Conformance</b>		NSF/ANSI 14 & 61 ASTM D1784 ASTM D1785 ASTM D2467 ASTM F441 ASTM F439	
<b>Joining Technology</b>		Solvent Cement	
<b>Packing</b>		Pipe in lifts/boxes Fittings in bulk boxes	
<b>Labeling</b>		Brand Name Product Description Code Number Material Dimension Approvals	
<b>Main Applications</b>		Double-See is suitable for a wide range of applications including water and waste water treatment, chemical delivery, dosing and processing, microelectronics, life sciences, metal working/finishing, waste collection, and many others.	
<b>Additional features</b>		Custom fabrications and pipe spooling available	

	Pipes	118
	Elbows	126
	Tees	130
	45° Wye	142
	Sump	143
	Closure Couplings	145
	Terminations	146
	Valves	148
	Leak Detection	155
	Accessories	156

# Pipes

A

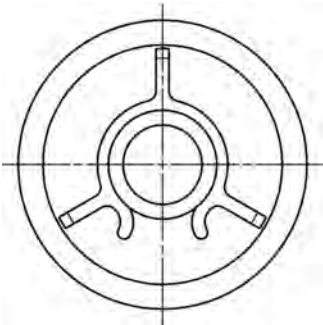
## Pipe, PVC 80 x PVC 80 (20-ft lengths)



Size (inch)	Part No.	USD
1/2 x 2	* 8808005020AB	38.03
3/4 x 3	* 8808007030AB	45.18
1 x 3	* 8808010030AB	53.47
1-1/2 x 4	* 8808015040AB	63.01
2 x 4	* 8808020040AB	73.68
3 x 6	* 8808030060AB	87.98
4 x 8	* 8808040080AB	103.63
6 x 10	* 8808060100AB	155.44

A

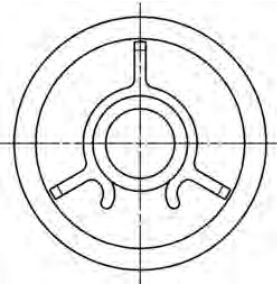
## Pipe, PVC 80 x PVC 40 (20-ft lengths)



Size (inch)	Part No.
1/2 x 2	* 8408005020AB
3/4 x 3	* 8408007030AB
1 x 3	* 8408010030AB
1-1/2 x 4	* 8408015040AB
2 x 4	* 8408020040AB
3 x 6	* 8408030060AB
4 x 8	* 8408040080AB
6 x 10	* 8408060100AB

A

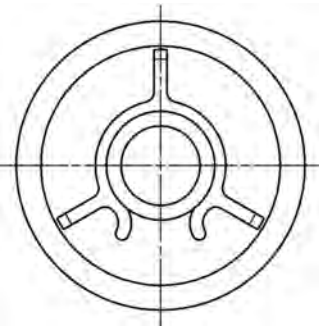
**Pipe, PVC 80 x CPVC 80 (20-ft lengths)**



Size (inch)	Part No.	USD
1/2 x 2	* 8908005020AB	49.95
3/4 x 3	* 8908007030AB	59.48
1 x 3	* 8908010030AB	70.16
1-1/2 x 4	* 8908015040AB	83.32
2 x 4	* 8908020040AB	96.48
3 x 6	* 8908030060AB	113.99
4 x 8	* 8908040080AB	132.64
6 x 10	* 8908060100AB	243.52

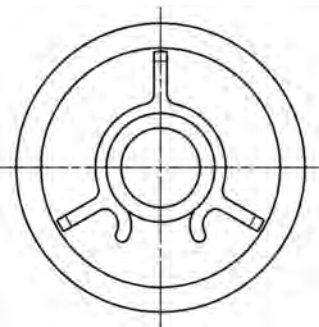
**Pipe, PVC 80 x CPVC 40 (20-ft lengths)**

Size 6 x 10 supplied in 10 foot lengths



Size (inch)	Part No.	USD
1/2 x 2	8608005020AB	35.33
3/4 x 3	8608007030AB	42.06
1 x 3	8608010030AB	49.62
1-1/2 x 4	8608015040AB	58.85
2 x 4	8608020040AB	68.08
3 x 6	8608030060AB	79.88
4 x 8	8608040080AB	93.07
6 x 10	8608060100AB	181.02

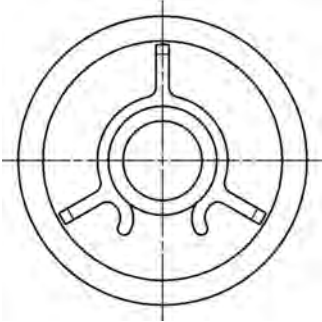
**Pipe, PVC 80 x PVC 80 Clear (20-ft lengths)**



Size (inch)	Part No.	USD
1/2 x 2	8708005020AB	53.70
3/4 x 3	8708007030AB	62.33
1 x 3	8708010030AB	73.01
1-1/2 x 4	8708015040AB	87.75
2 x 4	8708020040AB	101.89
3 x 6	8708030060AB	121.63

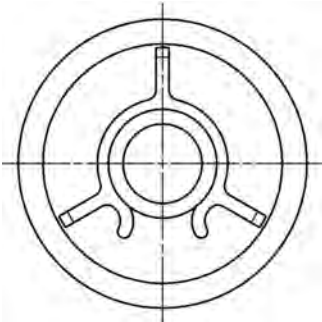
A

**Pipe, PVC 80 x PVC 40 Clear (20-ft lengths)**



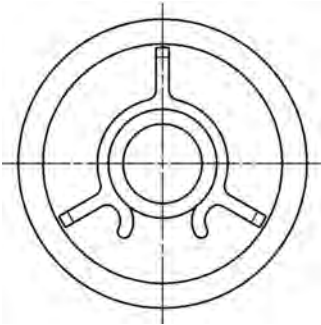
Size (inch)	Part No.	USD
1/2 x 2	* 8308005020AB	40.41
3/4 x 3	* 8308007030AB	47.56
1 x 3	* 8308010030AB	55.85
1-1/2 x 4	* 8308015040AB	65.39
2 x 4	* 8308020040AB	77.20
3 x 6	* 8308030060AB	91.50
4 x 8	* 8308040080AB	107.77
6 x 10	* 8308060100AB	190.67

**Pipe, PVC 40 x PVC 40 White (20-ft lengths)**



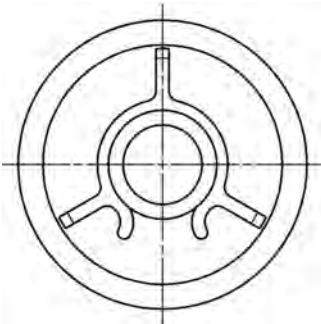
Size (inch)	Part No.	USD
1/2 x 2	4408005020AB	22.48
3/4 x 3	4408007030AB	26.77
1 x 3	4408010030AB	31.06
1-1/2 x 4	4408015040AB	36.37
2 x 4	4408020040AB	42.81
3 x 6	4408030060AB	51.39
4 x 8	4408040080AB	59.88
6 x 10	4408060100AB	89.81

Pipe, PVC 80 Clear x PVC 40 Clear (20-ft lengths)



Size (inch)	Part No.
1/2 x 2	7308005020AB
3/4 x 3	7308007030AB
1 x 3	7308010030AB
1-1/2 x 4	7308015040AB
2 x 4	7308020040AB
3 x 6	7308030060AB
4 x 8	7308040080AB
6 x 10	7308060100AB

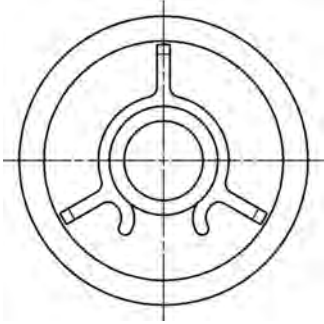
Pipe, PVC 40 Clear x PVC 40 Clear (20-ft lengths)



Size (inch)	Part No.
1/2 x 2	3308005020AB
3/4 x 3	3308007030AB
1 x 3	3308010030AB
1-1/2 x 4	3308015040AB
2 x 4	3308020040AB
3 x 6	3308030060AB
4 x 8	3308040080AB
6 x 10	3308060100AB

A

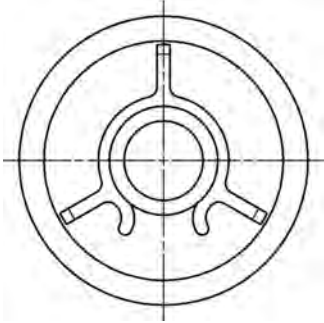
**Pipe, CPVC 80 x PVC 80 (20-ft lengths)**



Size (inch)	Part No.
1/2 x 2	* 9808005020AB
3/4 x 3	* 9808007030AB
1 x 3	* 9808010030AB
1-1/2 x 4	* 9808015040AB
2 x 4	* 9808020040AB
3 x 6	* 9808030060AB
4 x 8	* 9808040080AB
6 x 10	* 9808060100AB

A

**Pipe, CPVC 80 x PVC 40 (20-ft lengths)**

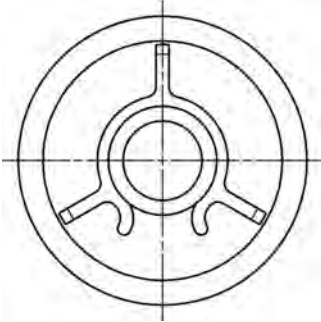


Size (inch)	Part No.
1/2 x 2	* 9408005020AB
3/4 x 3	* 9408007030AB
1 x 3	* 9408010030AB
1-1/2 x 4	* 9408015040AB
2 x 4	* 9408020040AB
3 x 6	* 9408030060AB
4 x 8	* 9408040080AB
6 x 10	* 9408060100AB



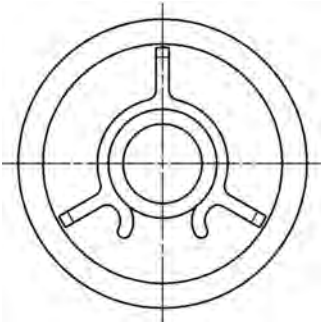
A

**Pipe, CPVC 80 x CPVC 80 (20-ft lengths)**



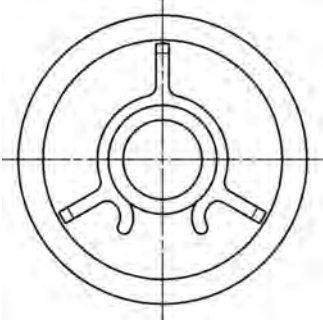
Size (inch)	Part No.
1/2 x 2	*9908005020AB
3/4 x 3	*9908007030AB
1 x 3	*9908010030AB
1-1/2 x 4	*9908015040AB
2 x 4	*9908020040AB
3 x 6	*9908030060AB
4 x 8	*9908040080AB
6 x 10	*9908060100AB

**Pipe, CPVC 80 x CPVC 40 (20-ft lengths)**



Size (inch)	Part No.
1/2 x 2	9608005020AB
3/4 x 3	9608007030AB
1 x 3	9608010030AB
1-1/2 x 4	9608015040AB
2 x 4	9608020040AB
3 x 6	9608030060AB
4 x 8	9608040080AB
6 x 10	9608060100AB

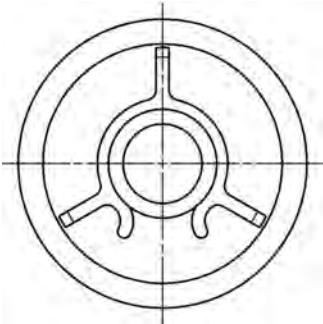
Pipe, CPVC 80 x PVC 80 Clear (20-ft lengths)



Size (inch)	Part No.
1/2 x 2	9708005020AB
3/4 x 3	9708007030AB
1 x 3	9708010030AB
1-1/2 x 4	9708015040AB
2 x 4	9708020040AB
3 x 6	9708030060AB

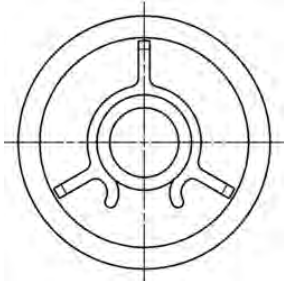
A

Pipe, CPVC 80 x PVC 40 Clear (20-ft lengths)



Size (inch)	Part No.
1/2 x 2	* 9308005020AB
3/4 x 3	* 9308007030AB
1 x 3	* 9308010030AB
1-1/2 x 4	* 9308015040AB
2 x 4	* 9308020040AB
3 x 6	* 9308030060AB
4 x 8	* 9308040080AB
6 x 10	* 9308060100AB

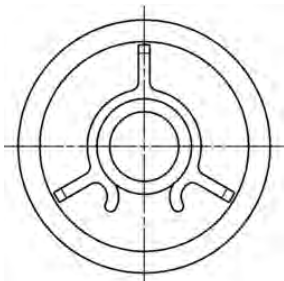
### Pipe Centralizer - Sch40 Containment



- For IPS size PVC or CPVC only
- Fits carrier (inner) Sch40 or Sch80 pipe, and containment (outer) Sch40 pipe only
- Only for use with GF Double-See pipe and fitting system. Consult GF Piping Systems for installation and spacing recommendations.

Size (inch)	Part No.	Pack Qty	Centralizers Per 20 ft
1/2 x 2	<b>898 005 020</b>	10	7
3/4 x 3	<b>898 007 030</b>	10	7
1 x 3	<b>898 010 030</b>	10	6
1-1/2 x 4	<b>898 015 040</b>	10	6
2 x 4	<b>898 020 040</b>	10	5
3 x 6	<b>898 030 060</b>	5	5
4 x 8	<b>898 040 080</b>	5	4
6 x 10	<b>898 060 100</b>	5	4

### Pipe Centralizer - Sch80 Containment



- For IPS size PVC or CPVC only
- Fits carrier (inner) Sch40 or Sch80 pipe, and containment (outer) Sch80 pipe only
- Only for use with GF Double-See pipe and fitting system. Consult GF Piping Systems for installation and spacing recommendations.

Size (inch)	Part No.	Pack Qty	Centralizers Per 20 ft
1/2 x 2	<b>899 005 020</b>	10	7
3/4 x 3	<b>899 007 030</b>	10	7
1 x 3	<b>899 010 030</b>	10	6
1-1/2 x 4	<b>899 015 040</b>	10	6
2 x 4	<b>899 020 040</b>	10	5
3 x 6	<b>899 030 060</b>	5	5
4 x 8	<b>899 040 080</b>	5	4
6 x 10	<b>899 060 100</b>	5	4

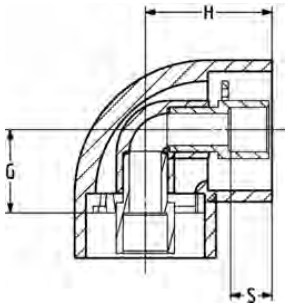
# Elbows

A

## 90° Elbow, PVC 80 x CPVC 80



Size (inch)	Part No.	G (inch)	H (inch)	S (inch)
1/2 x 2	<b>8906005020</b>	1.90	2.78	0.88
3/4 x 3	<b>8906007030</b>	2.75	3.75	1.00
1 x 3	<b>8906010030</b>	2.56	3.75	1.19
1 1/2 x 4	<b>8906015040</b>	3.20	4.60	1.40
2 x 4	<b>8906020040</b>	3.10	4.60	1.50
3 x 6	<b>8906030060</b>	4.80	6.70	1.90
4 x 8	<b>8906040080</b>	6.47	8.67	2.20
6 x 10	<b>8906060100</b>	7.77	10.77	3.00

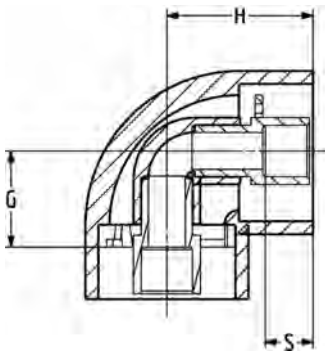


A

## 90° Elbow, PVC 80 x PVC 80

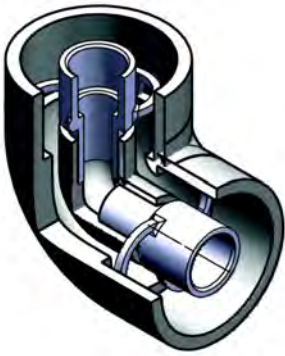


Size (inch)	Part No.	G (inch)	H (inch)	S (inch)
1/2 x 2	<b>8806005020</b>	1.90	2.78	0.88
3/4 x 3	<b>8806007030</b>	2.75	3.75	1.00
1 x 3	<b>8806010030</b>	2.56	3.75	1.19
1-1/2 x 4	<b>8806015040</b>	3.20	4.60	1.40
2 x 4	<b>8806020040</b>	3.10	4.60	1.50
3 x 6	<b>8806030060</b>	4.80	6.70	1.90
4 x 8	<b>8806040080</b>	6.47	8.67	2.20
6 x 10	<b>8806060100</b>	7.77	10.77	3.00

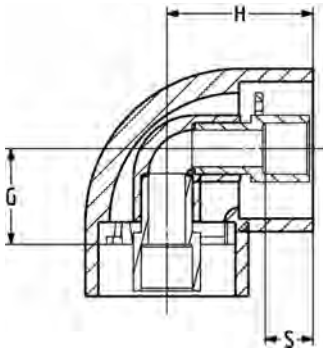


A

**90° Elbow, CPVC 80 x PVC 80**



Size (inch)	Part No.	G (inch)	H (inch)	S (inch)
1/2 x 2	<b>9806005020</b>	1.90	2.78	0.88
3/4 x 3	<b>9806007030</b>	2.75	3.75	1.00
1 x 3	<b>9806010030</b>	2.56	3.75	1.19
1-1/2 x 4	<b>9806015040</b>	3.20	4.60	1.40
2 x 4	<b>9806020040</b>	3.10	4.60	1.50
3 x 6	<b>9806030060</b>	4.80	6.70	1.90
4 x 8	<b>9806040080</b>	6.47	8.67	2.20
6 x 10	<b>9806060100</b>	7.77	10.77	3.00

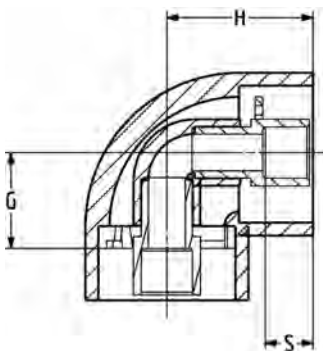


A

**90° Elbow, CPVC 80 x CPVC 80**



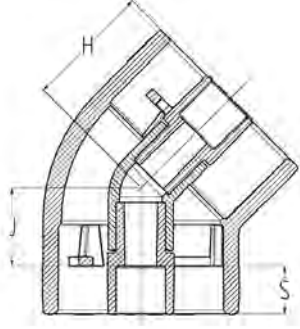
Size (inch)	Part No.	G (inch)	H (inch)	S (inch)
1/2 x 2	<b>9906005020</b>	1.90	2.78	0.88
3/4 x 3	<b>9906007030</b>	2.75	3.75	1.00
1 x 3	<b>9906010030</b>	2.56	3.75	1.19
1-1/2 x 4	<b>9906015040</b>	3.19	4.59	1.40
2 x 4	<b>9906020040</b>	3.09	4.59	1.50
3 x 6	<b>9906030060</b>	4.80	6.70	1.90
4 x 8	<b>9906040080</b>	6.32	8.52	2.20
6 x 10	<b>9906060100</b>	7.70	10.70	3.00



A

**45° Elbow, PVC 80 x CPVC 80**

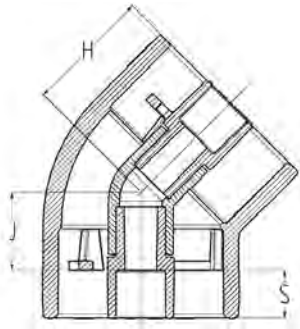
Size (inch)	Part No.	J (inch)	H (inch)	S (inch)
1/2 x 2	<b>8917005020</b>	1.29	2.16	0.87
3/4 x 3	<b>8917007030</b>	1.66	2.66	1.00
1 x 3	<b>8917010030</b>	1.52	2.66	1.14
1 1/2 x 4	<b>8917015040</b>	1.91	3.24	1.33
2 x 4	<b>8917020040</b>	1.74	3.24	1.50
3 x 6	<b>8917030060</b>	3.01	4.81	1.80
4 x 8	<b>8917040080</b>	4.02	6.11	2.20
6 x 10	<b>8917060100</b>	4.77	7.50	3.00



A

**45° Elbow, PVC 80 x PVC 80**

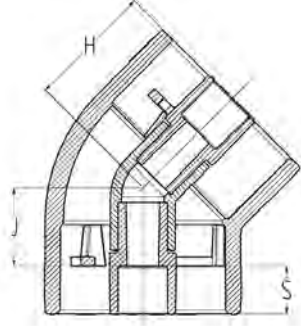
Size (inch)	Part No.	J (inch)	H (inch)	S (inch)
1/2 x 2	<b>8817005020</b>	1.29	2.16	0.87
3/4 x 3	<b>8817007030</b>	1.66	2.66	1.00
1 x 3	<b>8817010030</b>	1.52	2.66	1.14
1-1/2 x 4	<b>8817015040</b>	1.91	3.24	1.33
2 x 4	<b>8817020040</b>	1.74	3.24	1.50
3 x 6	<b>8817030060</b>	3.01	4.81	1.80
4 x 8	<b>8817040080</b>	4.02	6.11	2.20
6 x 10	<b>8817060100</b>	4.77	7.50	3.00



A

**45° Elbow, CPVC 80 x PVC 80**

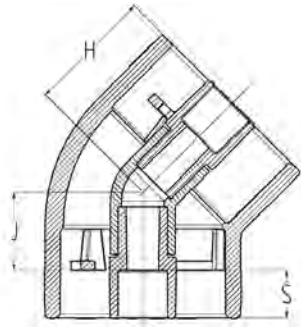
Size (inch)	Part No.	J (inch)	H (inch)	S (inch)
1/2 x 2	<b>9817005020</b>	1.29	2.16	0.87
3/4 x 3	<b>9817007030</b>	1.66	2.66	1.00
1 x 3	<b>9817010030</b>	1.52	2.66	1.14
1-1/2 x 4	<b>9817015040</b>	1.91	3.24	1.33
2 x 4	<b>9817020040</b>	1.74	3.24	1.50
3 x 6	<b>9817030060</b>	3.01	4.81	1.80
4 x 8	<b>9817040080</b>	4.02	6.11	2.20
6 x 10	<b>9817060100</b>	4.77	7.50	3.00



A

**45° Elbow, CPVC 80 x CPVC 80**

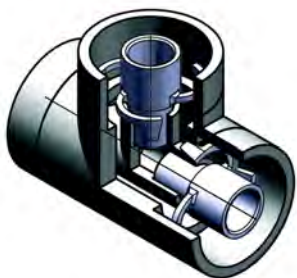
Size (inch)	Part No.	J (inch)	H (inch)	S (inch)
1/2 x 2	<b>9917005020</b>	1.29	2.16	0.87
3/4 x 3	<b>9917007030</b>	1.66	2.66	1.00
1 x 3	<b>9917010030</b>	1.52	2.66	1.14
1-1/2 x 4	<b>9917015040</b>	1.91	3.24	1.33
2 x 4	<b>9917020040</b>	1.74	3.24	1.50
3 x 6	<b>9917030060</b>	3.01	4.81	1.80
4 x 8	<b>9917040080</b>	4.02	6.11	2.20
6 x 10	<b>9917060100</b>	4.77	7.50	3.00



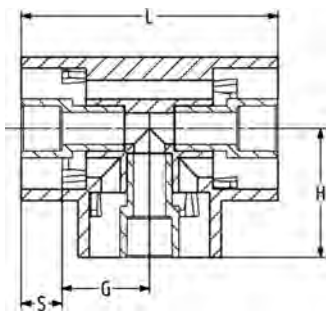
# Tees

A

## Tee, PVC 80 x PVC 80

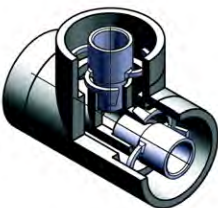


Size (inch)	Part No.	L (inch)	H (inch)	G (inch)	S (inch)
1/2 x 2	<b>8801005020</b>	5.56	2.78	1.90	0.88
3/4 x 3	<b>8801007030</b>	7.50	3.75	2.75	1.00
1 x 3	<b>8801010030</b>	7.50	3.75	2.56	1.19
1-1/2 x 4	<b>8801015040</b>	9.26	4.63	3.23	1.40
2 x 4	<b>8801020040</b>	9.26	4.63	3.13	1.50
3 x 6	<b>8801030060</b>	13.26	6.63	4.73	1.90
4 x 8	<b>8801040080</b>	17.40	8.70	6.50	2.20
6 x 10	<b>8801060100</b>	21.70	10.85	7.85	3.00

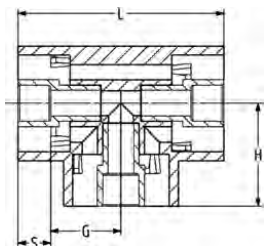


A

## Tee, PVC 80 x CPVC 80



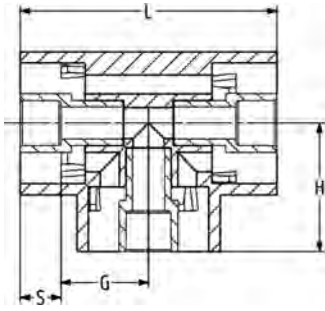
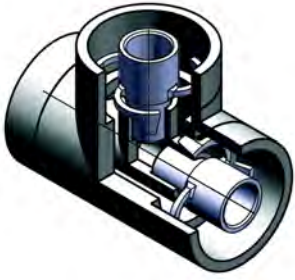
Size (inch)	Part No.	L (inch)	H (inch)	G (inch)	S (inch)
1/2 x 2	<b>8901005020</b>	5.56	2.78	1.90	0.88
3/4 x 3	<b>8901007030</b>	7.50	3.75	2.75	1.00
1 x 3	<b>8901010030</b>	7.50	3.75	2.56	1.19
1 1/2 x 4	<b>8901015040</b>	9.26	4.63	3.23	1.40
2 x 4	<b>8901020040</b>	9.26	4.63	3.13	1.50
3 x 6	<b>8901030060</b>	13.26	6.63	4.73	1.90
4 x 8	<b>8901040080</b>	17.40	8.70	6.50	2.20
6 x 10	<b>8901060100</b>	21.70	10.85	7.85	3.00





A

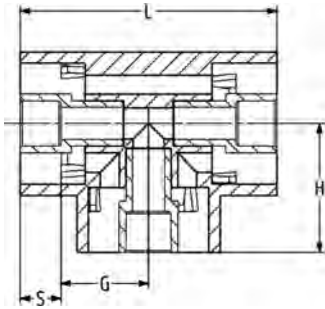
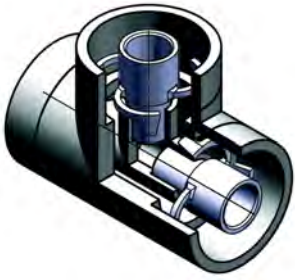
## Tee, CPVC 80 x PVC 80



Size (inch)	Part No.	L (inch)	H (inch)	G (inch)	S (inch)
1/2 x 2	<b>9801005020</b>	5.56	2.78	1.90	0.88
3/4 x 3	<b>9801007030</b>	7.50	3.75	2.75	1.00
1 x 3	<b>9801010030</b>	7.50	3.75	2.56	1.19
1-1/2 x 4	<b>9801015040</b>	9.26	4.63	3.23	1.40
2 x 4	<b>9801020040</b>	9.26	4.63	3.13	1.50
3 x 6	<b>9801030060</b>	13.26	6.63	4.73	1.90
4 x 8	<b>9801040080</b>	17.40	8.70	6.50	2.20
6 x 10	<b>9801060100</b>	21.70	10.85	7.85	3.00

A

## Tee, CPVC 80 x CPVC 80



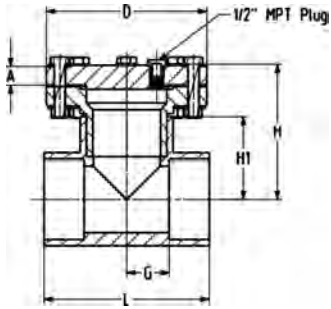
Size (inch)	Part No.	L (inch)	H (inch)	G (inch)	S (inch)
1/2 x 2	<b>9901005020</b>	5.64	2.82	1.94	0.88
3/4 x 3	<b>9901007030</b>	7.50	3.75	2.75	1.00
1 x 3	<b>9901010030</b>	7.50	3.75	2.56	1.19
1-1/2 x 4	<b>9901015040</b>	9.26	4.63	3.23	1.40
2 x 4	<b>9901020040</b>	9.26	4.63	3.13	1.50
3 x 6	<b>9901030060</b>	13.06	6.53	4.63	1.90
4 x 8	<b>9901040080</b>	17.26	8.63	6.43	2.20
6 x 10	<b>9901060100</b>	22.50	11.25	8.25	3.00

A

**Access Tee, PVC**



Size (inch)	Part No.	L (inch)	H1 (inch)	G (inch)	D (inch)	H (inch)	A (inch)
2	<b>8801853020</b>	5.56	2.78	1.29	6.00	4.93	0.92
3	<b>8801853030</b>	7.50	3.75	1.85	7.50	6.40	1.03
4	<b>8801853040</b>	9.26	4.63	2.38	9.00	7.75	1.35
6	<b>8801853060</b>	13.26	6.63	3.55	11.00	10.04	1.49
8	<b>8801853080</b>	17.40	8.70	4.59	13.50	13.07	1.63
10	<b>8801853100</b>	21.70	10.85	5.57	16.00	15.14	1.00

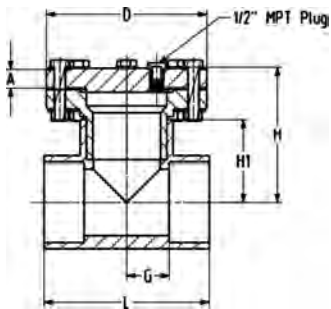


A

**Access Tee, CPVC**



Size (inch)	Part No.	L (inch)	H1 (inch)	G (inch)	D (inch)	H (inch)	A (inch)
2	<b>9801853020</b>	5.64	2.82	1.32	6.00	4.96	0.92
3	<b>9801853030</b>	7.50	3.75	1.85	7.50	6.40	1.03
4	<b>9801853040</b>	9.26	4.63	2.38	9.00	7.75	1.35
6	<b>9801853060</b>	13.06	6.53	3.53	11.00	10.02	1.49
8	<b>9801853080</b>	17.26	8.63	4.59	13.50	13.07	1.63
10	<b>9801853100</b>	22.50	11.25	5.75	16.00	15.14	1.00

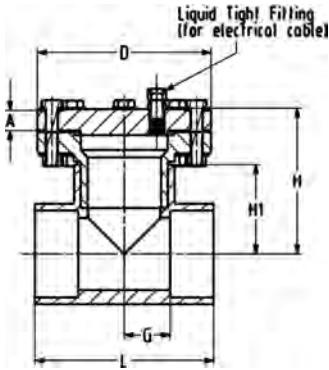


A

**Access Tee (Liquid Tight), PVC**



Size (inch)	Part No.	L (inch)	H1 (inch)	G (inch)	D (inch)	H (inch)	A (inch)
2	<b>8801853020LT</b>	5.56	2.78	1.29	6.00	4.93	0.92
3	<b>8801853030LT</b>	7.50	3.75	1.85	7.50	6.40	1.03
4	<b>8801853040LT</b>	9.26	4.63	2.38	9.00	7.75	1.35
6	<b>8801853060LT</b>	13.26	6.63	3.55	11.00	10.04	1.49
8	<b>8801853080lt</b>	17.40	8.70	4.59	13.50	13.07	1.63
10	<b>8801853100LT</b>	21.70	10.85	5.75	16.00	15.14	1.00

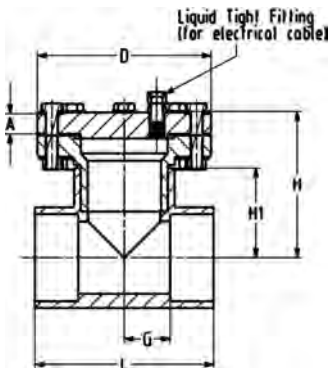


A

**Access Tee (Liquid Tight), CPVC**



Size (inch)	Part No.	L (inch)	H1 (inch)	G (inch)	D (inch)	H (inch)	A (inch)
2	<b>9801853020LT</b>	5.64	2.82	1.32	6.00	4.96	0.92
3	<b>9801853030LT</b>	7.50	3.75	1.85	7.50	6.40	1.03
4	<b>9801853040LT</b>	9.26	4.63	2.38	9.00	7.75	1.35
6	<b>9801853060LT</b>	13.06	6.53	3.53	11.00	10.02	1.49
8	<b>9801853080LT</b>	17.26	8.63	4.59	13.50	13.07	1.63
10	<b>9801853100LT</b>	22.50	11.25	5.75	16.00	15.14	1.00



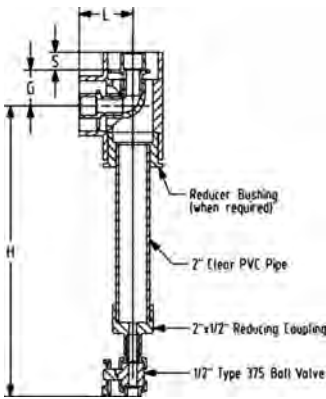
A

**90° Low Point Drain/High Point Vent Tee PVC 80 x CPVC 80**

Visual Leak Detection



Size (inch)	Part No.	G (inch)	H (inch)	S (inch)
1/2 x 2	<b>8902005020</b>	1.90	2.78	0.88
3/4 x 3	<b>8902007030</b>	2.75	3.75	1.00
1 x 3	<b>8902010030</b>	2.56	3.75	1.19
1-1/2 x 4	<b>8902015040</b>	3.20	4.60	1.40
2 x 4	<b>8902020040</b>	3.10	4.60	1.50
3 x 6	<b>8902030060</b>	4.80	6.70	1.90
4 x 8	<b>8902040080</b>	6.47	8.67	2.20
6 x 10	<b>8902060100</b>	7.77	10.77	3.00



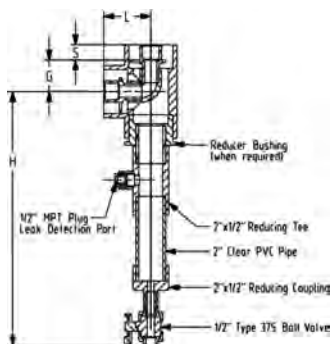
A

**90° Low Point Drain/High Point Vent Tee PVC 80 x CPVC 80**

Visual Leak Detection and Leak Detection Port



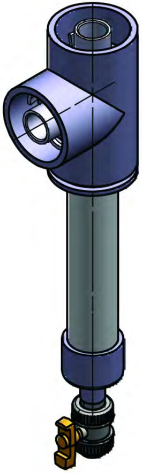
Size (inch)	Part No.	G (inch)	H (inch)	S (inch)
1/2 x 2	<b>8903005020</b>	1.90	2.78	0.88
3/4 x 3	<b>8903007030</b>	2.75	3.75	1.00
1 x 3	<b>8903010030</b>	2.56	3.75	1.19
1-1/2 x 4	<b>8903015040</b>	3.20	4.60	1.40
2 x 4	<b>8903020040</b>	3.10	4.60	1.50
4 x 8	<b>8903040080</b>	6.47	8.67	2.20
4 x 8	<b>8903040080</b>	6.47	8.67	2.20
6 x 10	<b>8903060100</b>	7.77	10.77	3.00



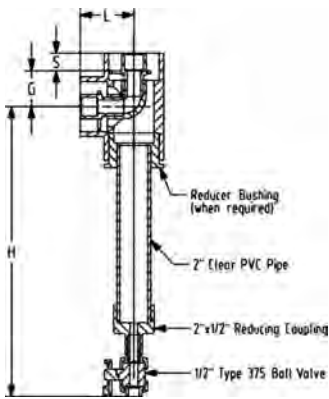
A

**90° Low Point Drain/High Point Vent Tee PVC 80 x PVC 80**

Visual Leak Detection



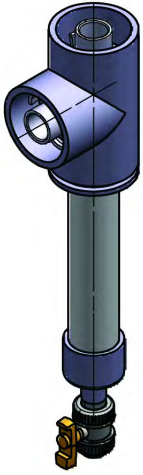
Size (inch)	Part No.	G (inch)	L (inch)	S (inch)	H (inch)
1/2 x 2	<b>8802005020</b>	1.90	2.78	0.88	19.66
3/4 x 3	<b>8802007030</b>	2.75	3.75	1.00	20.28
1 x 3	<b>8802010030</b>	2.56	3.75	1.79	20.28
1-1/2 x 4	<b>8802015040</b>	3.23	4.53	1.40	20.76
2 x 4	<b>8802020040</b>	3.13	4.63	1.50	20.76
3 x 6	<b>8802030060</b>	4.73	6.63	1.90	24.09
4 x 8	<b>8802040080</b>	6.50	8.70	2.20	24.47
6 x 10	<b>8802060100</b>	7.85	10.85	3.00	27.75



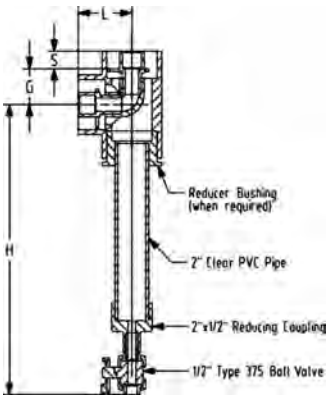
A

**90° Low Point Drain/High Point Vent Tee CPVC 80 x PVC 80**

Visual Leak Detection



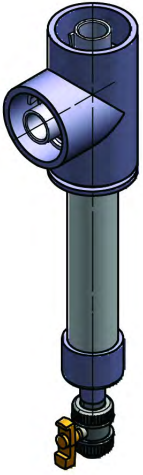
Size (inch)	Part No.	G (inch)	L (inch)	S (inch)	H (inch)
1/2 x 2	<b>9802005020</b>	1.90	2.78	0.88	19.66
3/4 x 3	<b>9802007030</b>	2.75	3.75	1.00	20.28
1 x 3	<b>9802010030</b>	2.56	3.75	1.79	20.28
1-1/2 x 4	<b>9802015040</b>	3.23	4.63	1.40	20.76
2 x 4	<b>9802020040</b>	3.13	4.63	1.50	20.76
3 x 6	<b>9802030060</b>	4.73	6.63	1.90	24.09
4 x 8	<b>9802040080</b>	6.50	8.70	2.20	24.47
6 x 10	<b>9802060100</b>	7.85	10.85	3.00	27.75



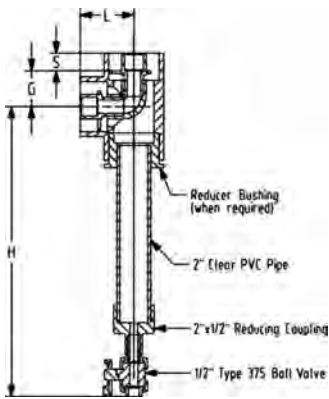
A

**90° Low Point Drain/High Point Vent Tee CPVC 80 x CPVC 80**

Visual Leak Detection



Size (inch)	Part No.	G (inch)	L (inch)	S (inch)	H (inch)
1/2 x 2	<b>9902005020</b>	1.90	2.78	0.88	21.44
3/4 x 3	<b>9902007030</b>	2.75	3.75	1.00	22.02
1 x 3	<b>9902010030</b>	2.56	3.75	1.19	22.02
1-1/2 x 4	<b>9902015040</b>	3.23	4.63	1.40	22.50
2 x 4	<b>9902020040</b>	3.13	4.63	1.50	22.50
3 x 6	<b>9902030060</b>	4.63	6.53	1.90	25.83
4 x 8	<b>9902040080</b>	6.43	8.63	2.20	26.21
6 x 10	<b>9902060100</b>	8.25	11.25	3.00	27.75



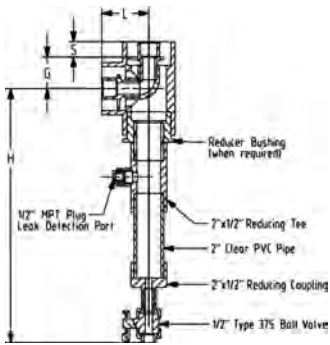
A

### 90° Low Point Drain/High Point Vent Tee PVC 80 x PVC 80

Visual Leak Detection and Leak Detection Port



Size (inch)	Part No.	G (inch)	L (inch)	S (inch)	H (inch)
1/2 x 2	<b>8803005020</b>	1.90	2.78	0.88	19.66
3/4 x 3	<b>8803007030</b>	2.75	3.75	1.00	20.28
1 x 3	<b>8803010030</b>	2.56	3.75	1.79	20.28
1-1/2 x 4	<b>8803015040</b>	3.23	4.63	1.40	20.76
2 x 4	<b>8803020040</b>	3.13	4.63	1.50	20.76
3 x 6	<b>8803030060</b>	4.73	6.63	1.90	24.09
4 x 8	<b>8803040080</b>	6.50	8.70	2.20	24.47
6 x 10	<b>8803060100</b>	7.85	10.85	3.00	27.75



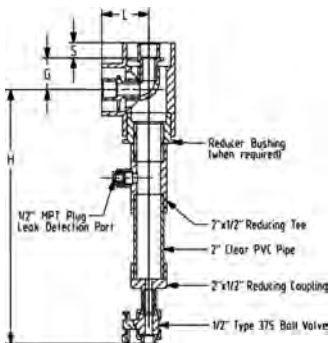
A

### 90° Low Point Drain/High Point Vent Tee CPVC 80 x PVC 80

Visual Leak Detection and Leak Detection Port



Size (inch)	Part No.	G (inch)	L (inch)	S (inch)	H (inch)
1/2 x 2	<b>9803005020</b>	1.90	2.78	0.88	19.66
3/4 x 3	<b>9803007030</b>	2.75	3.75	1.00	20.28
1 x 3	<b>9803010030</b>	2.56	3.75	1.79	20.28
1-1/2 x 4	<b>9803015040</b>	3.23	4.63	1.40	20.76
2 x 4	<b>9803020040</b>	3.13	4.63	1.50	20.76
3 x 6	<b>9803030060</b>	4.73	6.63	1.90	24.09
4 x 8	<b>9803040080</b>	6.50	8.70	2.20	24.47
6 x 10	<b>9803060100</b>	7.85	10.85	3.00	27.75





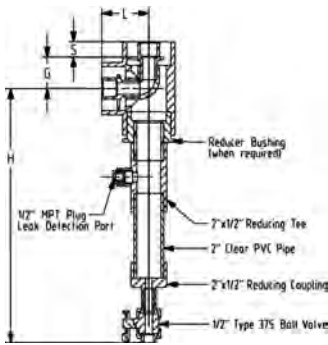
A

### 90° Low Point Drain/High Point Vent Tee CPVC 80 x CPVC 80

Visual Leak Detection and Leak Detection Port



Size (inch)	Part No.	G (inch)	L (inch)	S (inch)	H (inch)
1/2 x 2	<b>9903005020</b>	1.90	2.78	0.88	21.44
3/4 x 3	<b>9903007030</b>	2.75	3.75	1.00	22.02
1 x 3	<b>9903010030</b>	2.56	3.75	1.19	22.02
1-1/2 x 4	<b>9903015040</b>	3.23	4.63	1.40	22.50
2 x 4	<b>9903020040</b>	3.13	4.63	1.50	22.50
3 x 6	<b>9903030060</b>	4.63	6.53	1.90	25.83
4 x 8	<b>9903040080</b>	6.43	8.63	2.20	26.21
6 x 10	<b>9903060100</b>	8.25	11.25	3.00	27.75



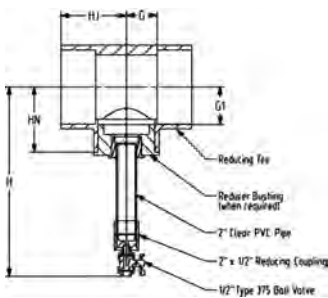
A

### Low Point Drain/High Point Vent Tee, PVC

Visual Leak Detection



Secondary (inch)	Reducing Tee (inch)	Part No.	H (inch)	HJ (inch)	HN (inch)	G (inch)	G1 (inch)
2	2 x 2	<b>8801375020</b>	17.28	2.78	2.78	1.29	1.29
3	3 x 2	<b>8801375030</b>	17.90	3.21	3.40	1.31	1.87
4	4 x 2	<b>8801375040</b>	18.38	3.52	3.88	1.26	2.37
6	6 x 2	<b>8801375060</b>	21.71	6.58	7.21	3.50	5.65
8	8 x 2	<b>8801375080</b>	22.09	7.63	7.59	3.59	3.56
10	10 x 2	<b>8801375100</b>	23.63	9.69	9.13	4.69	13.31



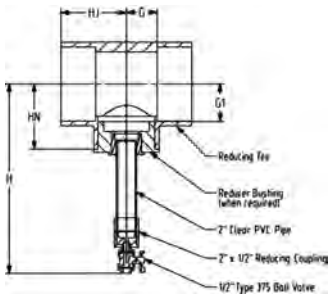
A

### Low Point Drain/High Point Vent Tee, CPVC

Visual Leak Detection



Secondary (inch)	Reducing Tee (inch)	Part No.	H (inch)	HJ (inch)	HN (inch)	G (inch)	G1 (inch)
2	2 x 2	<b>9801375020</b>	17.32	2.82	2.82	1.32	1.32
3	3 x 2	<b>9801375030</b>	17.90	3.21	3.40	1.31	1.87
4	4 x 2	<b>9801375040</b>	18.38	3.52	3.88	1.26	2.37
6	6 x 2	<b>9801375060</b>	21.71	6.58	7.21	3.56	5.65
8	8 x 2	<b>9801375080</b>	22.09	7.63	7.59	3.59	3.56
10	10 x 2	<b>9801375100</b>	23.63	9.69	9.13	4.69	13.31



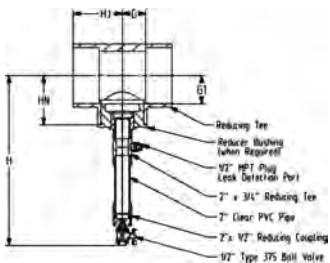
A

### Low Point Drain/High Point Vent Tee, PVC

Visual Leak Detection and Leak Detection Port



Secondary (inch)	Reducing Tee (inch)	Part No.	H (inch)	HJ (inch)	HN (inch)	G (inch)	G1 (inch)
2	2 x 2	<b>8801375020P</b>	19.66	2.78	2.78	1.29	1.29
3	3 x 2	<b>8801375030P</b>	20.28	3.21	3.40	1.31	1.87
4	4 x 2	<b>8801375040P</b>	20.76	3.52	3.88	1.26	2.37
6	6 x 2	<b>8801375060P</b>	24.09	6.58	7.21	3.56	5.65
8	8 x 2	<b>8801375080P</b>	24.47	7.63	7.59	3.59	3.56
10	10 x 2	<b>8801375100P</b>	26.01	9.69	9.13	4.69	13.31



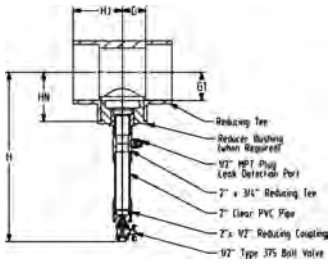
A

### Low Point Drain/High Point Vent Tee, CPVC

Visual Leak Detection and Leak Detection Port



Secondary (inch)	Reducing Tee (inch)	Part No.	H (inch)	HJ (inch)	HN (inch)	G (inch)	G1 (inch)
2	2 x 2	<b>9801375020P</b>	21.44	2.82	2.82	1.32	1.32
3	3 x 2	<b>9801375030P</b>	22.02	3.21	3.40	1.31	1.87
4	4 x 2	<b>9801375040P</b>	22.50	3.52	3.88	1.26	2.37
6	6 x 2	<b>9801375060P</b>	25.83	6.58	7.21	3.56	5.65
8	8 x 2	<b>9801375080P</b>	26.21	7.63	7.59	3.59	3.56
10	10 x 2	<b>9801375100P</b>	27.75	9.69	9.13	4.69	13.31



# Sump

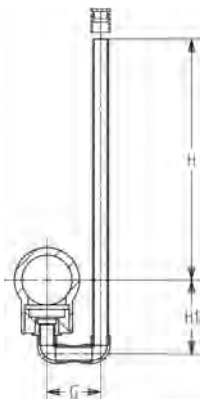
A

## Low Point Leak Detection Sump PVC

Riser Pipe not included



Size (inch)	Reducing Tee (inch)	Part No.	H (inch)	H1 (inch)	G (inch)
2	2 x 2	<b>8804806020</b>	36	6.56	6.56
3	3 x 2	<b>8804806030</b>	36	7.15	6.56
4	4 x 2	<b>8804806040</b>	36	7.66	6.56
6	6 x 2	<b>8804806060</b>	36	10.99	8.00
8	8 x 2	<b>8804806080</b>	36	12.33	8.00
10	10 x 2	<b>8804806100</b>	36	16.16	10.00



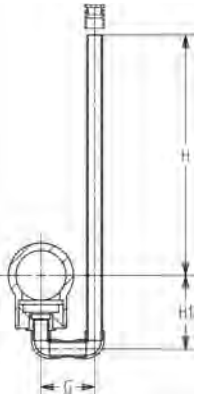
A

**Low Point leak Detection Sump CPVC**

Riser Pipe not included

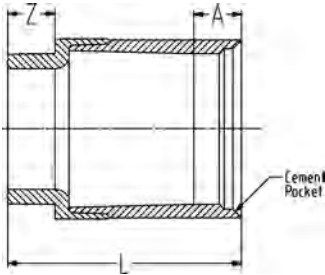
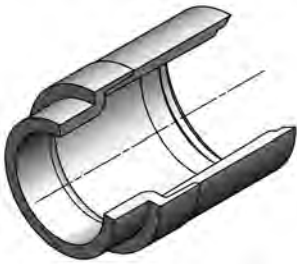


Size (inch)	Reducing Tee (inch)	Part No.	USD	H (inch)	H1 (inch)	G (inch)
2	2 x 2	<b>9804806020</b>	<b>327.46</b>	36	6.56	6.56
3	3 x 2	<b>9804806030</b>	<b>356.48</b>	36	7.15	6.56
4	4 x 2	<b>9804806040</b>	<b>505.70</b>	36	7.66	6.56
6	6 x 2	<b>9804806060</b>	<b>867.36</b>	36	10.99	8.00
8	8 x 2	<b>9804806080</b>	<b>1,515.03</b>	36	12.33	8.00
10	10 x 2	<b>9804806100</b>	<b>3,801.04</b>	36	16.16	10.00



# Closure Couplings

A



## Closure Coupling, PVC

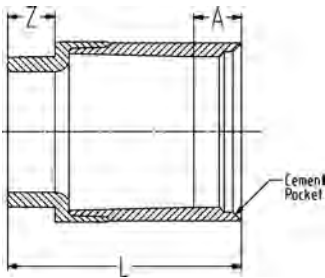
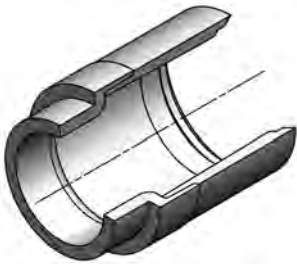
For use with compliance to ASME B31.3

Standard couplings are available in the Vinyls Price List

Two component adhesive/sealer required located in the accessories section of Double-See

Size (inch)	Part No.	L (inch)	A (inch)	Z (inch)
2	* 831020	3.71	0.75	0.75
3	* 831030	4.74	0.75	0.75
4	* 831040	5.46	1.00	1.00
6	* 831060	9.41	1.50	1.50
8	* 831080	10.70	1.75	1.75
10	* 831100	12.45	2.00	2.00

A



## Closure Coupling, CPVC

For use with compliance to ASME B31.3

Standard couplings are available in the Vinyls Price List

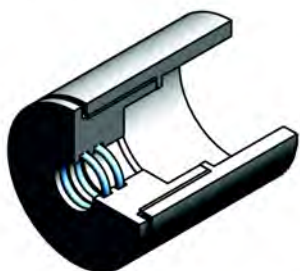
Two component adhesive/sealer required located in the accessories section of Double-See

Size (inch)	Part No.	L (inch)	A (inch)	Z (inch)
2	* 931020	3.71	0.75	0.75
3	* 931030	4.74	1.00	0.75
4	* 931040	5.46	1.00	1.00
6	* 931060	9.41	1.19	1.50
8	* 931080	10.70	1.19	1.75
10	* 931100	12.45	1.92	2.00

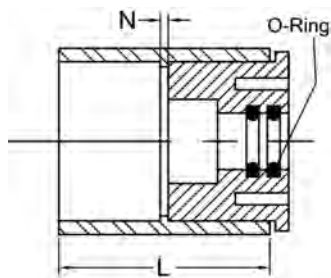
# Terminations

A

## Termination, PVC 80

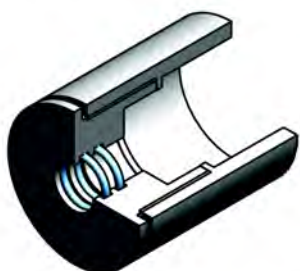


Size (inch)	FKM Part No.	EPDM Part No.	L (inch)	N (inch)
½ x 2	825005020F	825005020E	3.14	0.12
¾ x 3	825007030F	825007030E	4.04	0.25
1 x 3	825010030F	825010030E	4.04	0.25
1 ½ x 4	825015040F	825015040E	4.79	0.25
2 x 4	825020040F	825020040E	4.79	0.25
3 x 6	825030060F	825030060E	6.41	0.34
4 x 8	825040080F	825040080E	8.40	0.34
6 x 10	825060100F	825060100E	10.55	0.49

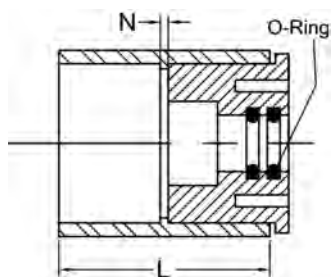


A

## Termination, CPVC 80

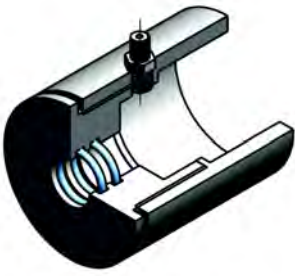


FKM Part No.	EPDM Part No.	L (inch)	N (inch)
925005020F	925005020E	3.14	0.12
925007030F	925007030E	4.04	0.25
925010030F	925010030E	4.04	0.25
925015040F	925015040E	4.79	0.25
925020040F	925020040E	4.79	0.25
925030060F	925030060E	6.41	0.34
925040080F	925040080E	8.40	0.34
925060100F	925060100E	10.54	0.50

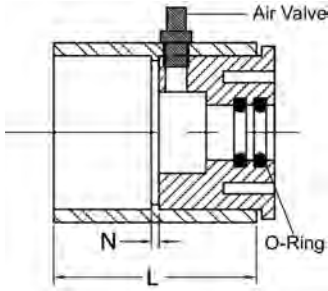


A

**Test Termination, PVC 80**

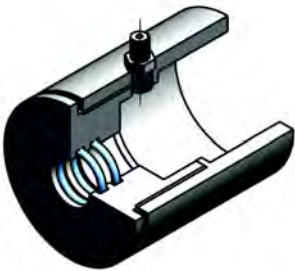


<b>FKM Part No.</b>	<b>EPDM Part No.</b>	<b>L (inch)</b>	<b>N (inch)</b>
825005020FT	825005020ET	3.14	0.12
825007030FT	825007030ET	4.04	0.25
825010030FT	825010030ET	4.04	0.25
825015040FT	825015040ET	4.79	0.25
825020040FT	825020040ET	4.79	0.25
825030060FT	825030060ET	6.41	0.34
825040080FT	825040080ET	8.40	0.34
825060100FT	825060100ET	10.55	0.49

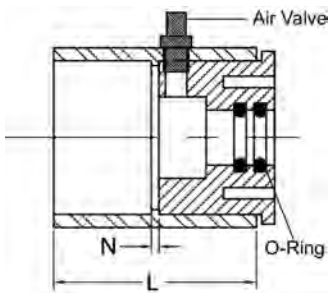


A

**Test Termination, CPVC 80**



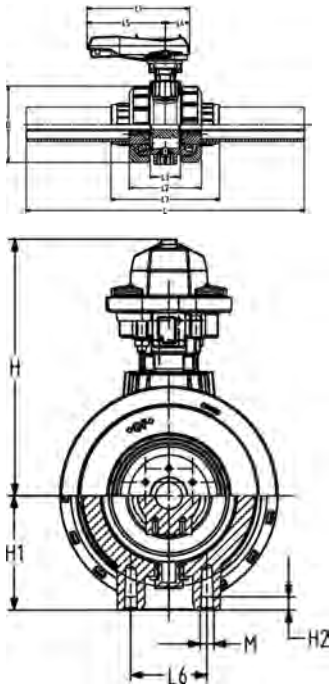
<b>FKM Part No.</b>	<b>EPDM Part No.</b>	<b>L (inch)</b>	<b>N (inch)</b>
925005020FT	925005020ET	3.14	0.12
925007030FT	925007030ET	4.04	0.25
925010030FT	925010030ET	4.04	0.25
925015040FT	925015040ET	4.79	0.25
925020040FT	925020040ET	4.79	0.25
925030060FT	925030060ET	6.41	0.34
925040080FT	925040080ET	8.40	0.34
925060100FT	925060100ET	10.55	0.49





# Valves

A

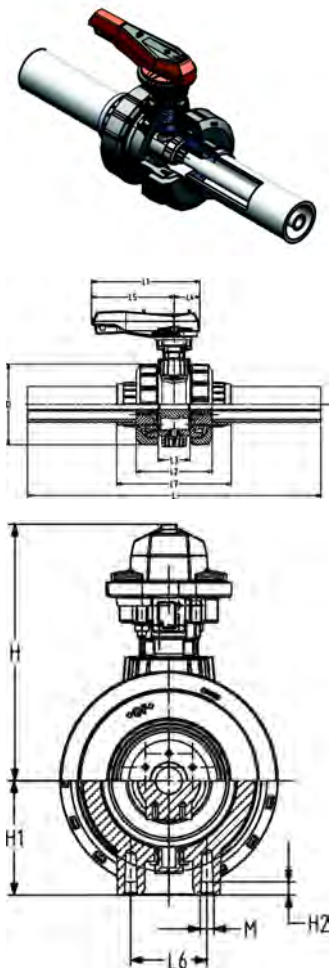


**Type 546 Manual Ball Valve, Double Contained  
PVC x PVC  
Pressure Rated**

Size (inch)	EPDM Part No.	FKM Part No.
1/2 x 2	* 150 546 005	* 150 546 805
3/4 x 3	* 150 546 007	* 150 546 807
1 x 3	* 150 546 010	* 150 546 810
1-1/2 x 4	* 150 546 015	* 150 546 815
2 x 4	* 150 546 020	* 150 546 820

D (inch)	L (inch)	L3 (inch)	L2 (inch)	L1 (inch)	L4 (inch)	L5 (inch)	L6 (inch)	H1 (inch)	M (inch)	H2 (inch)	H (inch)
4.88	8.13	2.40	5.13	5.98	2.60	3.43	1.77	2.52	8	0.59	5.67
7.87	11.22	2.76	7.47	10.59	2.52	8.11	2.76	4.13	8	0.59	9.25
7.87	11.22	2.99	7.47	10.59	2.52	8.11	2.76	4.13	8	0.59	9.25
9.37	14.20	3.70	9.20	12.60	2.52	10.05	4.72	4.84	12	0.87	9.63
9.37	14.20	4.21	9.20	12.60	2.52	10.05	4.72	4.84	12	0.87	9.63

A



**Type 546 Manual Ball Valve, Double Contained CPVC x PVC**

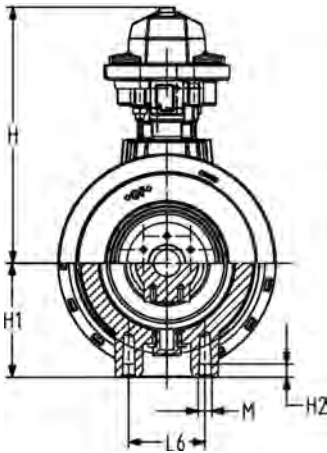
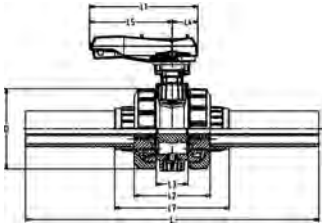
Pressure Rated

Size (inch)	EPDM Part No.	FKM Part No.
1/2 x 2	* 150 546 905	* 150 546 705
3/4 x 3	* 150 546 907	* 150 546 707
1 x 3	* 150 546 910	* 150 546 710
1-1/2 x 4	* 150 546 915	* 150 546 715
2 x 4	* 150 546 920	* 150 546 720

D (inch)	L (inch)	L1 (inch)	L2 (inch)	L3 (inch)	L4 (inch)	L5 (inch)	L6 (inch)	H (inch)	H1 (inch)	H2 (inch)	M (inch)
4.88	8.13	5.98	5.13	2.10	2.60	3.43	1.77	5.67	2.52	0.59	8.00
7.87	11.22	10.59	7.47	2.76	2.52	8.11	2.76	9.25	4.13	0.59	8.00
7.87	11.22	10.59	7.47	2.99	2.52	8.11	2.76	9.25	4.13	0.59	8.00
9.37	14.20	12.60	9.20	3.70	2.52	10.05	4.72	9.63	4.84	0.87	12.00
9.37	14.20	12.60	9.20	4.21	2.52	10.05	4.72	9.63	4.84	0.87	12.00

**Type 546 Manual Ball Valve, Double Contained CPVC x CPVC**

Pressure Rated



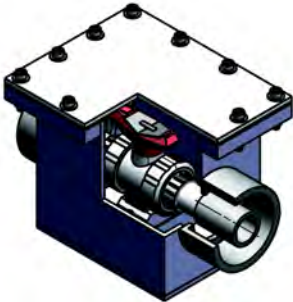
Size (inch)	EPDM Part No.	FKM Part No.
1/2 x 2	150 546 991	150 546 791
3/4 x 3	150 546 992	150 546 792
1 x 3	150 546 993	150 546 793
1-1/2 x 4	150 546 994	150 546 794
2 x 4	150 546 995	150 546 795

D (inch)	L (inch)	L1 (inch)	L2 (inch)	L3 (inch)	L4 (inch)	L5 (inch)	L6 (inch)	H (inch)	H1 (inch)	H2 (inch)	M (inch)
4.88	8.13	5.98	5.13	2.10	2.60	3.43	1.77	5.67	2.52	0.59	8.00
7.87	11.22	10.59	7.47	2.76	2.52	8.11	2.76	9.25	4.13	0.59	8.00
7.87	11.22	10.59	7.47	2.99	2.52	8.11	2.76	9.25	4.13	0.59	8.00
9.37	14.20	12.60	9.20	3.70	2.52	10.05	4.72	9.63	4.84	0.87	12.00
9.37	14.20	12.60	9.20	4.21	2.52	10.05	4.72	9.63	4.84	0.87	12.00

A

**Manual Valve Box, PVC x PVC**

Not Pressure Rated



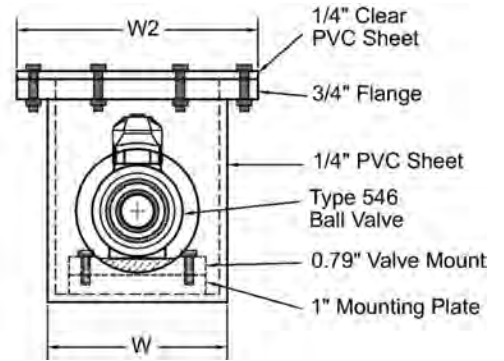
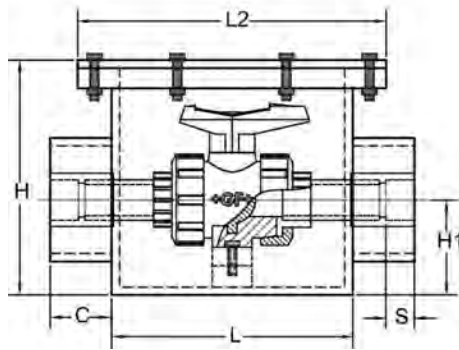
Size (inch)	EPDM Part No.	FKM Part No.
1/2 x 2	* 8546005020EVB	* 8546005020FVB
3/4 x 3	* 8546007030EVB	* 8546007030FVB
1 x 3	* 8546010030EVB	* 8546010030FVB
1-1/2 x 4	* 8546015040EVB	* 8546015040FVB
2 x 4	* 8546020040EVB	* 8546020040FVB
3 x 6	* 8546030060EVB	* 8546030060FVB
4 x 8	* 8546040080EVB	* 8546040080FVB

Weight (lb)	W (inch)	L (inch)	H (inch)	H1 (inch)	C (inch)	S (inch)	W2 (inch)	L2 (inch)
7.20	6.00	8.00	8.00	3.10	1.57	0.88	8.00	10.00
7.45	6.00	8.00	8.00	2.02	2.02	1.00	8.00	10.00
8.20	10.00	8.00	8.00	2.02	2.02	1.13	8.00	10.00

table continued on the next page

A

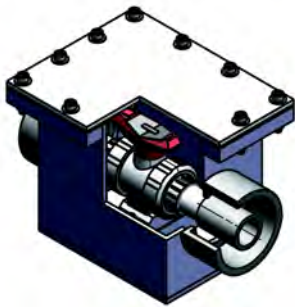
Weight (lb)	W (inch)	L (inch)	H (inch)	H1 (inch)	C (inch)	S (inch)	W2 (inch)	L2 (inch)
12.09	10.00	10.00	11.00	2.40	2.40	1.38	12.00	12.00
28.34	10.00	10.00	11.00	2.40	2.40	1.50	12.00	12.00
53.84	18.00	18.00	15.00	3.21	3.21	1.88	20.00	20.00
83.02	22.00	22.00	17.00	4.20	4.20	2.25	24.00	24.00



A

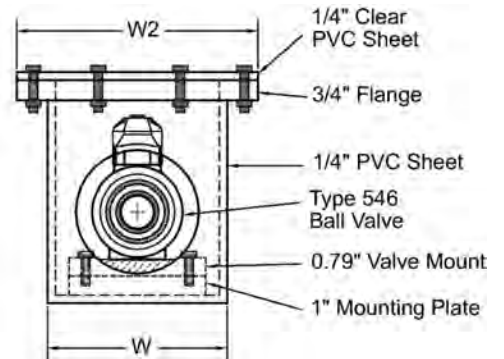
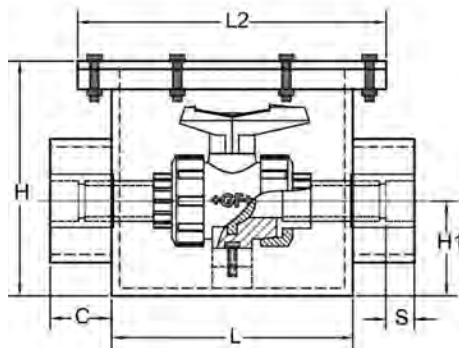
**Manual Valve Box, CPVC x PVC**

Not Pressure Rated



Size (inch)	EPDM Part No.	FKM Part No.
1/2 x 2	*9546005020EVB	*9546005020FVB
3/4 x 3	*9546007030EVB	*9546007030FVB
1 x 3	*9546010030EVB	*9546010030FVB
1-1/2 x 4	*9546015040EVB	*9546015040FVB
2 x 4	*9546020040EVB	*9546020040FVB
3 x 6	*9546030060EVB	*9546030060FVB
4 x 8	*9546040080EVB	*9546040080FVB

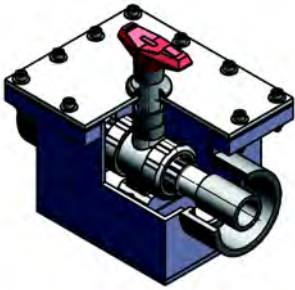
Weight (lb)	W (inch)	L (inch)	H (inch)	H1 (inch)	C (inch)	S (inch)	W2 (inch)	L2 (inch)
7.22	6.00	8.00	3.10	3.10	1.57	0.88	8.00	10
7.47	6.00	8.00	3.22	2.02	2.02	1.00	8.00	10
8.27	6.00	8.00	3.46	2.02	2.02	1.13	8.00	10
12.32	10.00	10.00	4.05	2.40	2.40	1.38	12.00	12
28.82	10.00	10.00	4.56	2.40	2.40	1.50	12.00	12
55.38	18.00	18.00	6.17	3.21	3.21	1.88	20.00	20
85.88	22.00	22.00	6.88	4.20	4.20	2.25	24.00	24



A

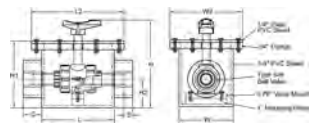
**Manual Valve Box, External Handle PVC x PVC**

Not Pressure Rated



Size (inch)	EPDM Part No.	FKM Part No.
1/2 x 2	* 8546005020EEH	* 8546005020FEH
3/4 x 3	* 8546007030EEH	* 8546007030FEH
1 x 3	* 8546010030EEH	* 8546010030FEH
1-1/2 x 4	* 8546015040EEH	* 8546015040FEH
2 x 4	* 8546020040EEH	* 8546020040FEH

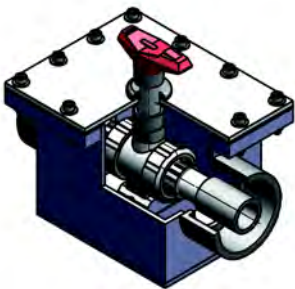
Weight (lb)	W (inch)	L (inch)	H (inch)	H1 (inch)	H2 (inch)	C (inch)	S (inch)	W2 (inch)	L2 (inch)
7.50	6.00	8.00	9.20	7.00	3.10	1.57	0.88	8.00	10.00
7.75	6.00	8.00	9.50	7.00	3.22	2.02	1.00	8.00	10.00
8.50	6.00	8.00	9.50	7.00	3.46	2.02	1.13	8.00	10.00
12.49	8.00	10.00	12.80	10.00	4.05	2.40	1.38	10.00	12.00
28.74	8.00	10.00	13.00	10.00	4.56	2.40	1.50	10.00	12.00



A

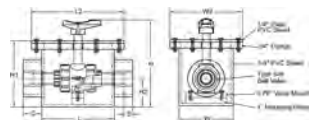
**Manual Valve Box, External Handle CPVC x PVC**

Not Pressure Rated



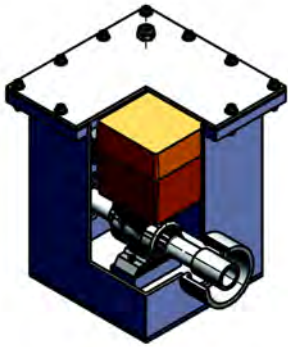
Size (inch)	EPDM Part No.	FKM Part No.
1/2 x 2	9546005020EEH	* 9546005020FEH
3/4 x 3	9546007030EEH	* 9546007030FEH
1 x 3	9546010030EEH	* 9546010030FEH
1-1/2 x 4	9546015040EEH	* 9546015040FEH
2 x 4	9546020040EEH	* 9546020040FEH

Weight (lb)	W (inch)	L (inch)	H (inch)	H1 (inch)	H2 (inch)	C (inch)	S (inch)	W2 (inch)	L2 (inch)
7.52	5.00	8.00	9.20	7.00	3.10	1.57	0.88	7.00	10.00
7.77	5.00	8.00	9.50	7.00	3.22	2.02	1.00	7.00	10.00
8.57	5.00	8.00	9.50	7.00	3.46	2.02	1.13	7.00	10.00
11.42	8.00	10.00	12.80	10.00	4.05	2.40	1.38	10.00	12.00
29.22	8.00	10.00	13.00	10.00	4.56	2.40	1.50	10.00	12.00



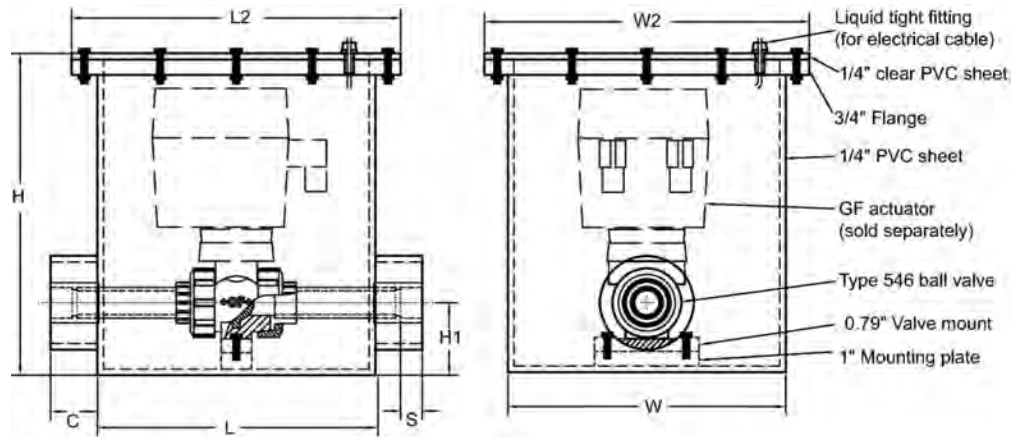
A

**Actuated Valve Box, PVC x PVC**



Size (inch)	EPDM Part No.	FKM Part No.
1/2 x 2	* 8546005020EAV	* 8546005020FAV
3/4 x 3	* 8546007030EAV	* 8546007030FAV
1 x 3	* 8546010030EAV	* 8546010030FAV
1-1/2 x 4	* 8546015040EAV	* 8546015040FAV
2 x 4	* 8546020040EAV	* 8546020040FAV
3 x 6	* 8546030060EAV	* 8546030060FAV
4 x 8	* 8546040080EAV	* 8546040080FAV

Weight (lb)	W (inch)	L (inch)	H (inch)	H1 (inch)	C (inch)	S (inch)	W2 (inch)	L2 (inch)
8.70	10.00	10.00	14.00	3.10	1.57	0.88	12.00	12.00
8.95	10.00	10.00	14.00	3.22	2.02	1.00	12.00	12.00
10.20	10.00	10.00	14.00	3.46	2.02	1.13	12.00	12.00
14.34	10.00	10.00	16.00	4.05	2.40	1.38	12.00	12.00
33.44	10.00	10.00	16.00	4.56	2.40	1.50	12.00	12.00
61.34	13.00	15.00	24.00	6.17	3.21	1.88	15.00	17.00
94.52	15.00	17.00	24.00	6.88	4.20	2.25	17.00	19.00



A

**Actuated Valve Box, CPVC x PVC**

Not Pressure Rated

Includes 546 Ball Valve, customer to purchase actuator of choice separately, to be mounted onto valve



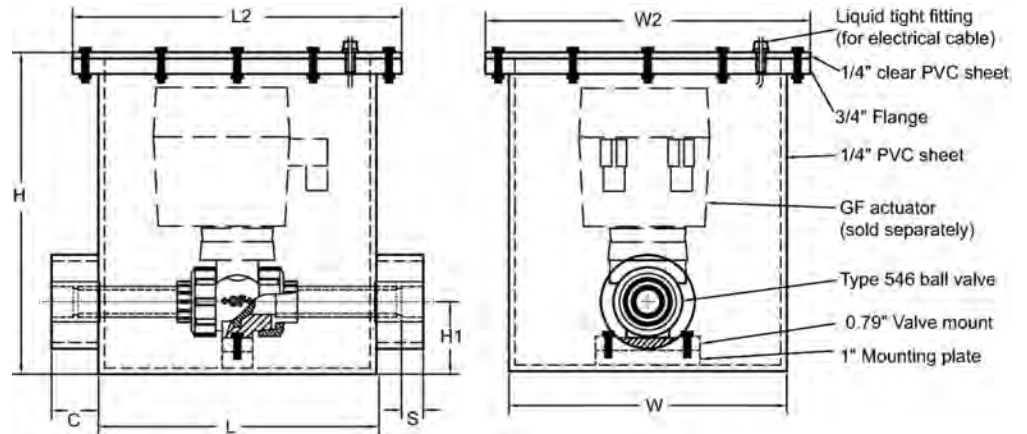
Size (inch)	EPDM Part No.	FKM Part No.
1/2 x 2	* 9546005020EAV	* 9546005020FAV
3/4 x 3	* 9546007030EAV	* 9546007030FAV
1 x 3	* 9546010030EAV	* 9546010030FAV
1-1/2 x 4	* 9546015040EAV	* 9546015040FAV
2 x 4	* 9546020040EAV	* 9546020040FAV
3 x 6	* 9546030060EAV	* 9546030060FAV
4 x 8	* 9546040080EAV	* 9546040080FAV

Weight (lb)	W (inch)	L (inch)	H (inch)	H1 (inch)	C (inch)	S (inch)	W2 (inch)	L2 (inch)
8.72	10.00	10.00	14.00	3.10	1.57	0.88	12.00	12.00
8.97	10.00	10.00	14.00	3.22	2.02	1.00	12.00	12.00
10.27	10.00	10.00	14.00	3.46	2.02	1.13	12.00	12.00

table continued on the next page

A

Weight (lb)	W (inch)	L (inch)	H (inch)	H1 (inch)	C (inch)	S (inch)	W2 (inch)	L2 (inch)
14.57	10.00	10.00	16.00	4.05	2.40	1.38	12.00	12.00
33.92	10.00	10.00	16.00	4.56	2.40	1.50	12.00	12.00
62.88	13.00	15.00	24.00	6.17	3.21	1.88	15.00	17.00
97.38	15.00	17.00	24.00	6.88	4.20	2.25	17.00	19.00



A

**Flange/Union Box, PVC**

Not Pressure Rated

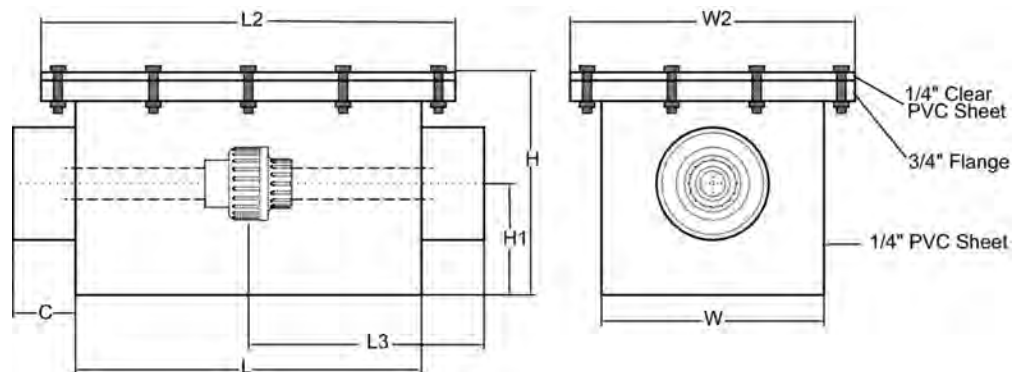


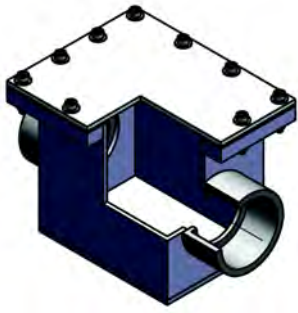
**Secondary Connection**  
(inch)

Secondary Connection (inch)	Part No.
2	* 8854020F
3	* 8854030F
4	* 8854040F
6	* 8854060F
8	* 8854080F
10	* 8854100F

**Secondary Connection**  
(inch)

Secondary Connection (inch)	Weight (lb)	W (inch)	W2 (inch)	L (inch)	L2 (inch)	L3 (inch)	H (inch)	H1 (inch)	C (inch)
2	6.58	9	11.00	14.00	16.00	8.57	9.00	4.50	1.57
3	6.97	9	11.00	14.00	16.00	9.02	9.00	4.50	2.02
4	9.32	12	14.00	14.00	16.00	9.40	12.00	6.00	2.40
6	23.63	12	14.00	14.00	16.00	10.21	12.00	6.00	3.21
8	36.29	15	17.00	15.00	17.00	11.70	15.00	7.50	4.20
10	55.75	15	17.00	15.00	17.00	12.78	15.00	7.50	5.28



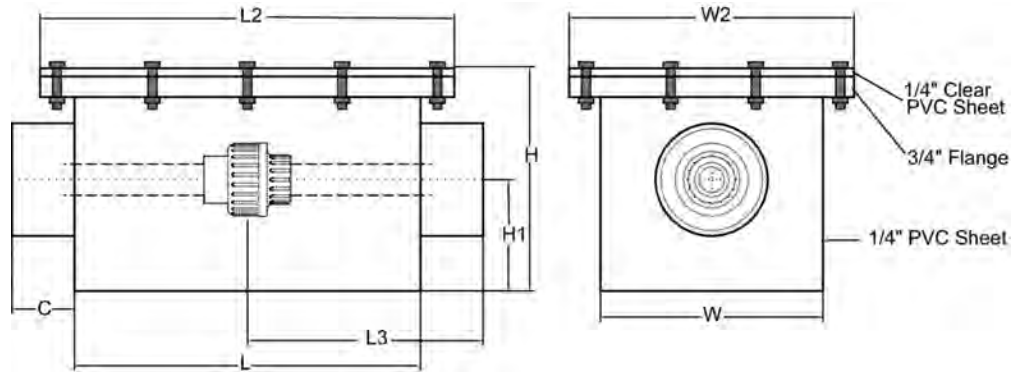


### Flange/Union Box, CPVC

Not Pressure Rated

Secondary Connection (inch)	Part No.
2	9854020F
3	9854030F
4	9854040F
6	9854060F
8	9854080F
10	9854100F

Secondary Connection (inch)	Weight (lb)	W (inch)	W2 (inch)	L (inch)	L2 (inch)	L3 (inch)	H (inch)	H1 (inch)	C (inch)
2	6.58	9	11.00	14.00	16.00	8.57	9.00	4.50	1.57
3	6.97	9	11.00	14.00	16.00	9.02	9.00	4.50	2.02
4	9.32	12	14.00	14.00	16.00	9.40	12.00	6.00	2.40
6	23.63	12	14.00	14.00	16.00	10.21	12.00	6.00	3.21
8	36.29	15	17.00	15.00	17.00	11.70	15.00	7.50	4.20
10	55.75	15	17.00	15.00	17.00	12.78	15.00	7.50	5.28



# Leak Detection

A



## Low Point Leak Detection Alarm Box

- Visual alarm indicators
- Powered on lithium batteries
- Alarm box does not include sensors
- No output option

Part No.	Description
* <b>* 150 240 001</b>	4 Sensor Signal Leak Detection Alarm Box

A



## Low Point Leak Detection System

- 12 point leak detection system
- 14" x 12" NEMA 4 Enclosure with locking latches.
- Internal fusible breaker for power protection.
- (12) Red LED indicators for leak detection at a specific points.
- RS485 Communications for building automation.
- Alarm output terminals for remote alarm indication.
- Optional audible alarm available.
- Other options available upon request.

Part No.	Description
* <b>* 150 000 060</b>	12 Point Leak Detection System

A



## Continuous Cable Leak Detection System

- Dimensions: 13.75" x 11.81" x 4.00" (350mm x 300mm x 102mm) Type 12 (IP52)
- Power: 110-240VAC, 50/60 Hz, 0.3 A/50 VA 24 VDC, 1 A/24 VA
- Accepts probe and cable sensors in one sensor string

	Maximum Cable Range (ft)	Cable Capacity	Part No.
*	3000	1	* <b>150 000 061</b>
*	7500	1	* <b>150 000 064</b>
*	7500	4	* <b>150 000 065</b>



# Accessories

B



## Two-Component Adhesive/Sealer

For closure coupling installations only.  
Contain-It Dispensing Gun (P#4694-200) can also be used for the 400mL cartridge

- The Starter Kit includes two cartridges, one dispensing gun, and six mixing tips.

	Part No.	Description	Pack Qty
*	*150845001	Starter Kit - 43mL	1
*	* 150 845 002	Two Part Adhesive - 43mL	10
*	*150 845 003	Mixing Tip,Straight - 43mL	12
*	* 150 845 004	Dispensing Gun- 43mL	1
*	* 150 845 005	Two Part Adhesive - 400mL	4
*	*150 845 006	Mixing Tip,Straight 400mL	10
*	* 150 845 007	Dispensing Gun - 400mL	1